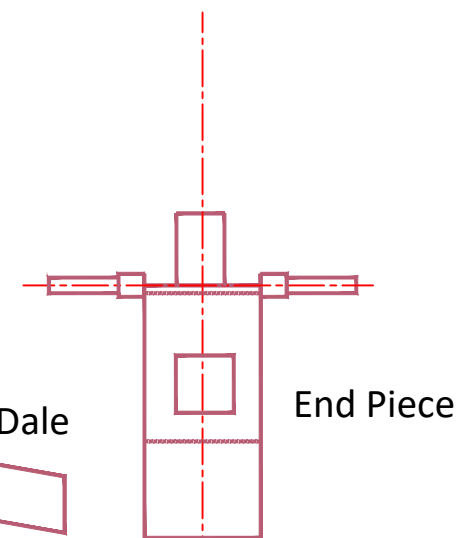
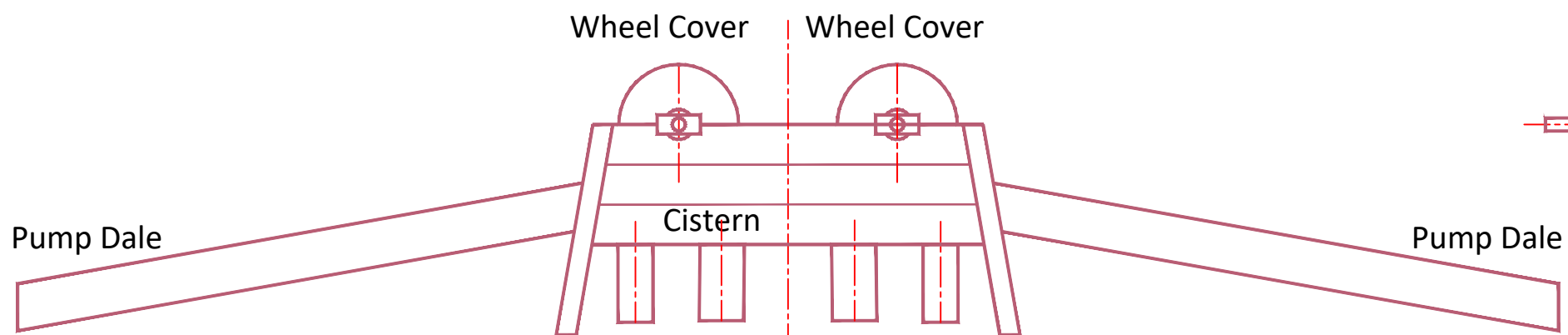
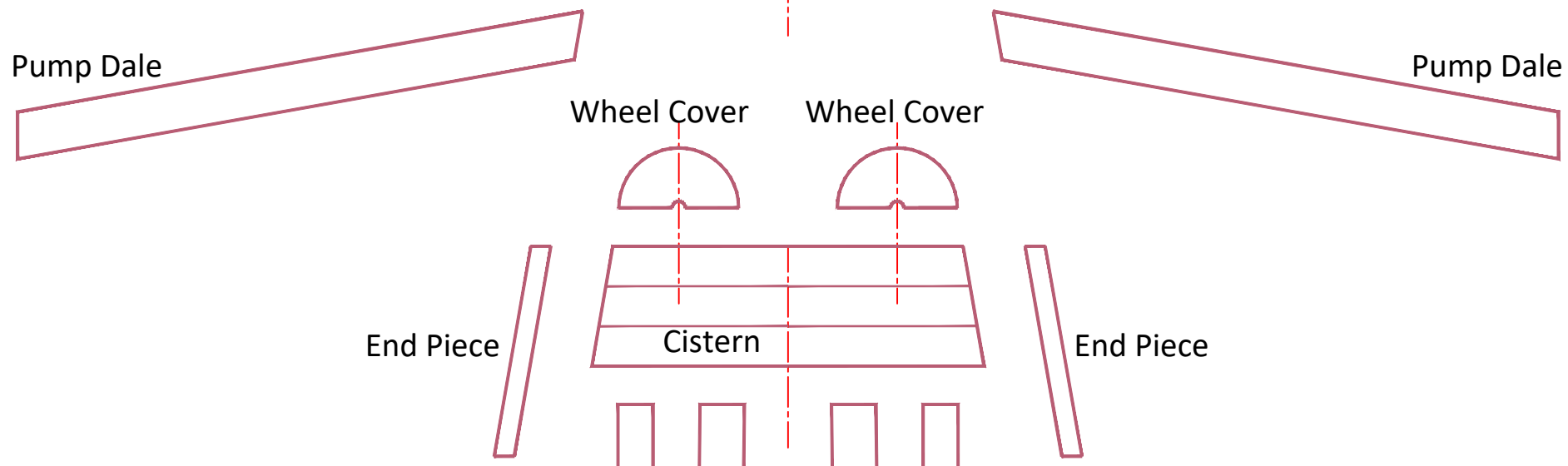


Top View

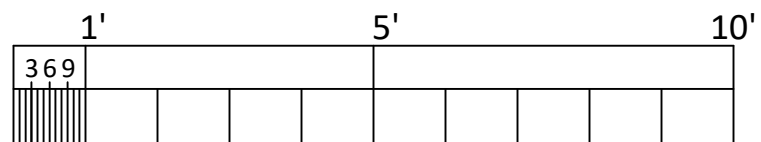


Side View



**Chain Pumps Patterns**

1:32 sht 4



SCALE

Part 3

11/25/17



**Ships of Scale**